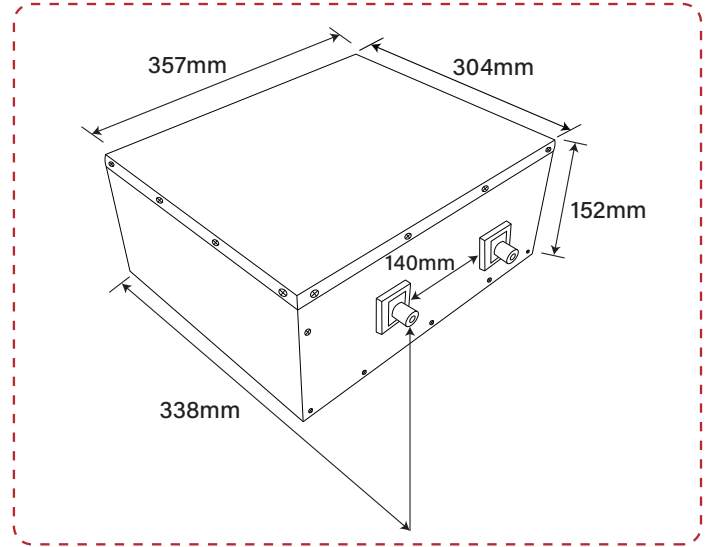


Perfektium LiFePO4 Battery 12.8V 180Ah



Items

Nominal Capacity	180Ah
Nominal Energy	2304Wh
Nominal Voltage	12.8V
Cell	32700 Cell 3.2V6Ah
Monitoring	Bluetooth 4.0 With Smartphone App
BMS Battery Management System	Integrated
Cycle Life	≥3000 at 80% DoD
Charging Characteristics	CCCV/IU
Normal Charge Voltage	14.6V
Operating Voltage range	10-14.6V
Max Charge Current	50A
Shipping Classification	UN 3480 / CLASS 9

Items

Recommended Charge Current	20A
Discharge Current	150A
Peak Discharge Cut-Off Current (5 ~ 15 ms)	450A
Terminal Type	M8
Water Proof	IP65
Dimension (L x W x H) in MM	357×338×152
Weight (No Accessories)	23.7kg
Charge Temperature	0~45°C
Discharge Temperature	-20~60°C
Storage Temperature	-5~35°C
Series & Parallel	4 series and 4 parallel
Certifications	CE / UL / UN38.3 / MSDS / ROHS